



JOCDA3AB-M5

Rev.A.1.0

) -o#k@u@V

The products are gate driver opto-couplers in the SOP5 package. The device consists of an in P

° " o \ Q y u - U ° Q y U k ° u @ 8 0 (Temperature=25°C) °

Parameter		Symbol	Value	Unit
LED	Forward Current	I _F	50	mA
	Peak Forward Current	I _{FP}	1	A
	Reverse Voltage	V _R	6	V
	Power Dissipation	P _D	100	mW
Detector	Output Voltage	V _O	35	V
	Supply Voltage	V _{CC}	35	V
	Power Dissipation	P _C	400	mW
Isolation Voltage		V _{iso}	3750	Vrms
Operating Temperature		T _{opr}	-40~110	
Junction Temperature		T _j	125	
Storage Temperature		T _{stg}	-55~125	
Total Power Dissipation		P _{tot}	500	mW
Soldering Temperature		T _{sol}	260	

V \ u : 100µs pulse, 100Hz frequency

V \ u : AC for 1minute, R.H.=40~60%

.

- Q # u k @ ° O # = ° k ° # u - k @ u # o (Temperature=25°C) e e e

High Level Output Voltage	V_{OH}	$I_F=5mA,$ $V_{CC}=10V,$ $I_O=-100mA$	6	8.4	-	V
Low Level Output Voltage	V_{OL}	$I_O=100mA$	-	0.1	0.2	V
Threshold Input Current	I_{FLH}	$V_{CC}=15V,$ $V_O=1V$	-	1.2	5	mA
Threshold Input Voltage	V_{FHL}	$V_{CC}=15V,$ $V_O=1V$	0.8	-	-	V
Supply Voltage	V_{CC}	-	15	-	30	V
UVLO Threshold	VUVLO+	$V_O=5V,$ $I_F=10mA$	12.1	12.8	13.5	V
	VUVLO-	$V_O=5V,$ $I_F=10mA$	11.1	11.8	12.4	V

#

#

FIG.1: Forward Current vs. Forward Voltage

FIG.2:

FIG.7: Low-level Output Voltage vs. Ambient Temperature

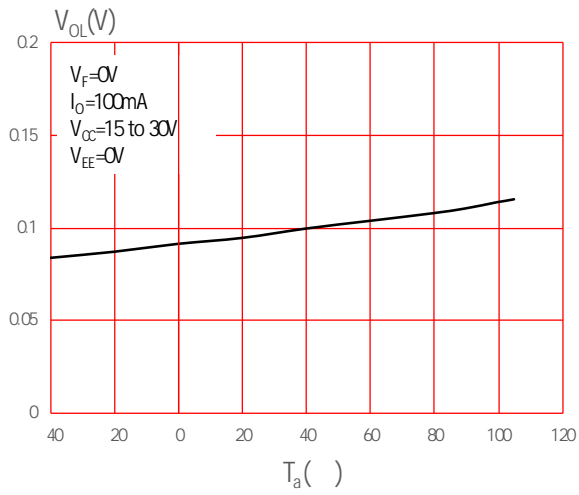
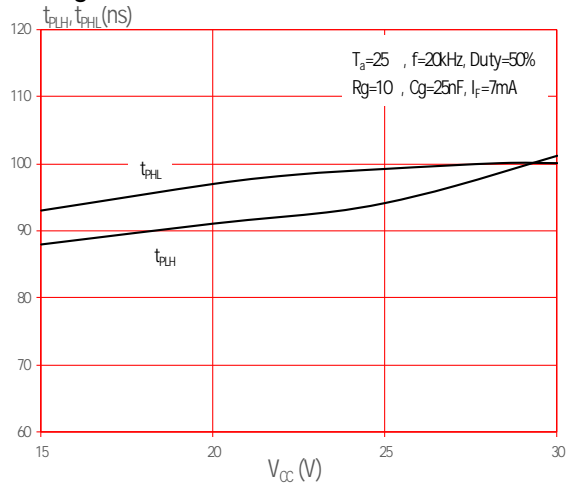
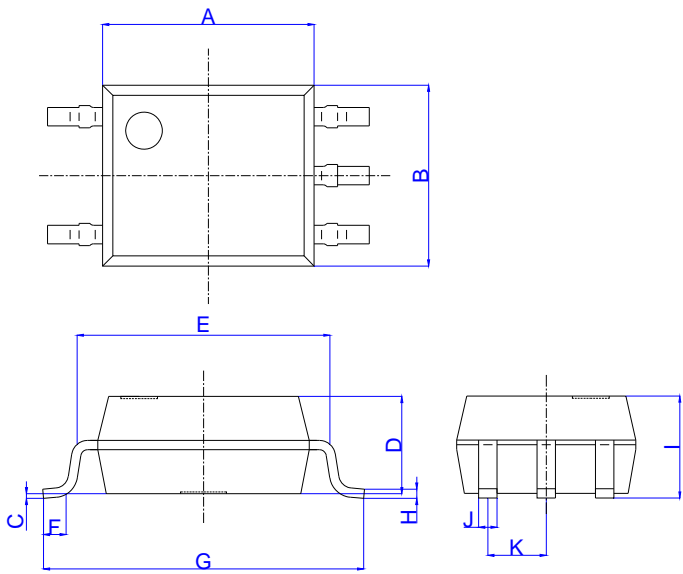


FIG.8: High-level Output Voltage vs. Ambient Temperature

FIG.13: Propagation Delay Time vs. Supply Voltage

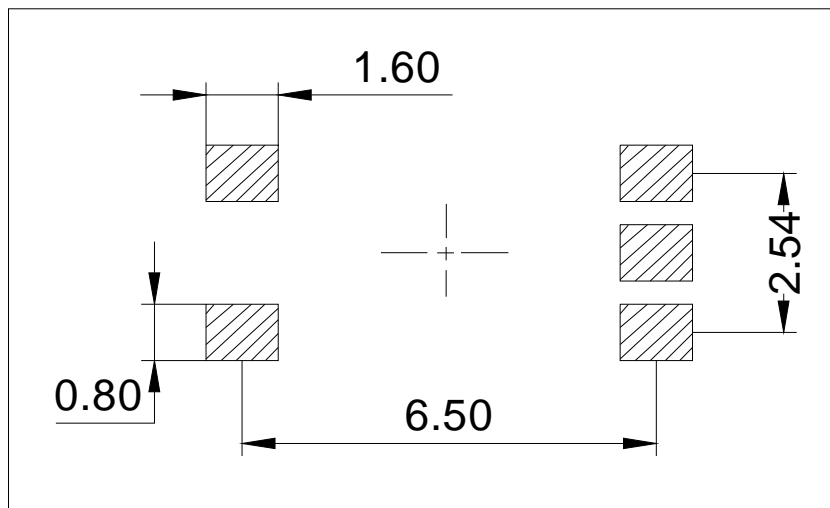


h) y

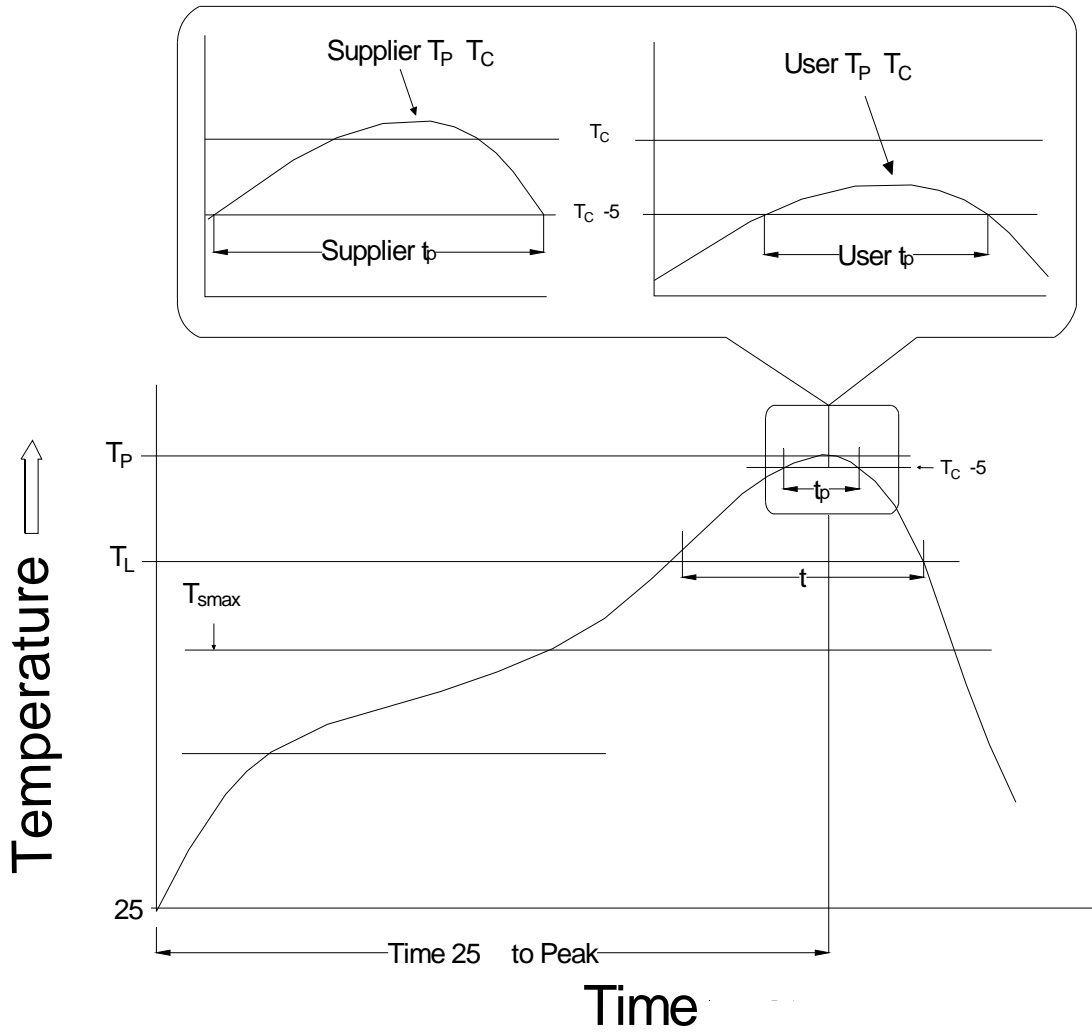


Ref.	Dimensions					
	Millimeters			Inches		
	Min.	Typ.	Max.	Min.	Typ.	Max.
A	4.40		4.80	0.173		0.189
B	3.60		4.20	0.142		0.165
C	0.00		0.20	0.000		0.008
D	1.90		2.30	0.075		0.091
E	5.00		5.60	0.197		0.220
F	0.34		0.94	0.013		0.037
G	6.70		7.30	0.264		0.287
H	0.10		0.30	0.004		0.012
I	2.00		2.40	0.079		0.094
J	0.25		0.55	0.010		0.022
K	1.02		1.52	0.040		0.060

k-# \ U U - V) -) \ Q - k U ° d M)



k-70 4 @7 kU ° u@V



Note:

1. Reflow soldering is recommended at the temperatures and times shown, no more than three times.
2. Avoid direct contact between the epoxy body and any tools or surfaces exceeding its maximum