

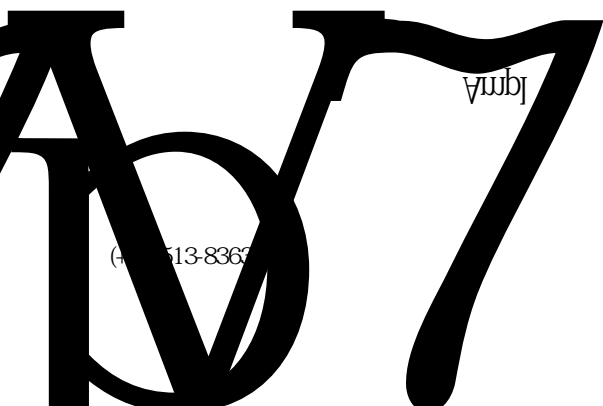


**JieJie Microelectronics**



ELECTRICAL CHARACTERISTICS

Characteristic	Symbol	Test Conditions	Min	Typ	Max	Units
Quiescent Current	$I_Q$	Live to Neutral = 10V	450	500	550	$\mu A$
Reference Voltage	$V_{REF}$	IN+ to Neutral	5.8	6.0	6.2	V
Power Supply		Live to Neutral	12.2	12.7	13.2	V
Shunt Regulator Voltage	$V_{REG}$	Live to Neutral, $I_{shunt}=2mA$	-0.9	-0.6	-	V





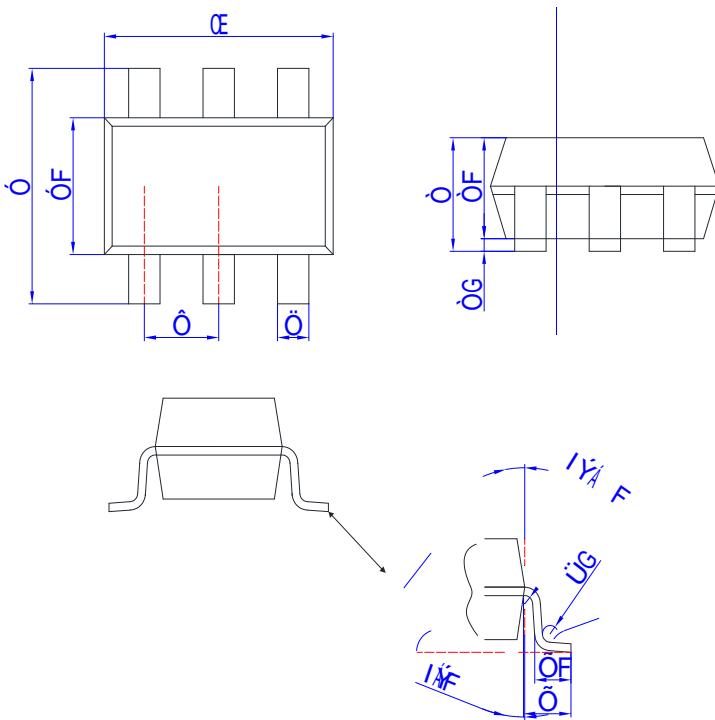




ORDERING INFORMATION

Order code	Package	Base qty. (pcs)	Delivery mode	MPQ (pcs)	MOQ (pcs)
JJ146	SOT-23-6	3K	Tape and Reel	30K	120K

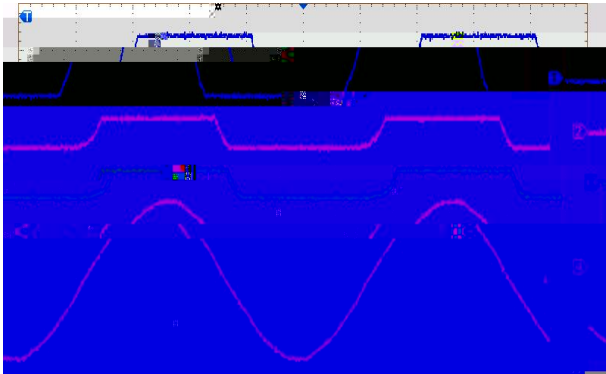
Package dimensions



Ü^É	Öä { ^ } • ä [ ] •					
	Tä}È			Q}&@^•		
	Tä}È	V^JÈ	TæøÈ	Tä}È	V^JÈ	TæøÈ
CE	GEÌG	GEJG	HEEG	EFFFF	EFFÍ	EFFJ
Ó	GEÌ€	GEÌ€	HE€€	€€FEG	€€FF	€€FFÌ
ÓF	FÈÍGÎ	FÈÍG	FÈÍGÎ	€€Í	€€ÍI	€€ÍÌ
Ô	€€JE	€€JÍ	FÈ€€	€€HÍ	€€HÏ	€€HJ
Ö	€€HÍ	È	€€ÍÍ	€€FI	È	€€FÌ
Ò	È	È	FÈHÍ	È	È	€€ÍH
ÒF	FÈ€€	FÈF€	FÈGE	€€HJ	€€IH	€€Í
ÒG	€	È	€€FÍ	€	È	€€€Í
Ø	€€GÍÜØØ			€€FÜØØ		
Ö	€€ÍÜØØ			€€GÍÜØØ		
ÕF	€€HÍ	€€ÍÍ	€€Í€	€€FI	€€FÌ	€€GI
ÜF	€€F€	È	€€GÍ	€€€I	È	€€F
ÜG	€€F€	È	È	€€€I	È	È
F	Í»	F€»	FÍ»	Í»	F€»	FÍ»
G	€»	I»	Ì»	€»	I»	Ì»

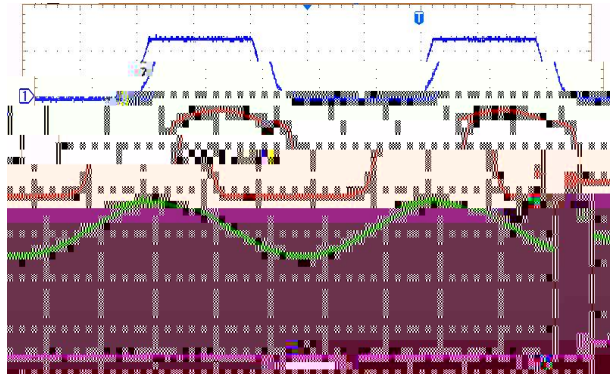
Typical characteristics( Test according to typical application diagram  $T_a=25^\circ\text{C}$  )

**Typical Waveforms, No Ground Fault**



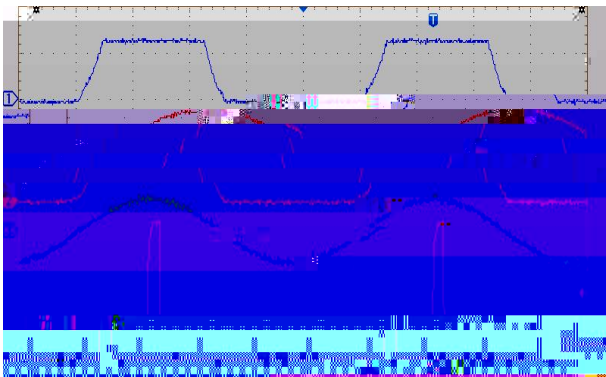
CH1:  $V_{LIVE}$  10V/DIV  
 CH2: Ampout 10V/DIV  
 CH3:  $V_{IN+}$  10V/DIV  
 CH4:  $V_{AC}$  100V/DIV  
 Time: 4ms/DIV

**4mA Ground Fault**



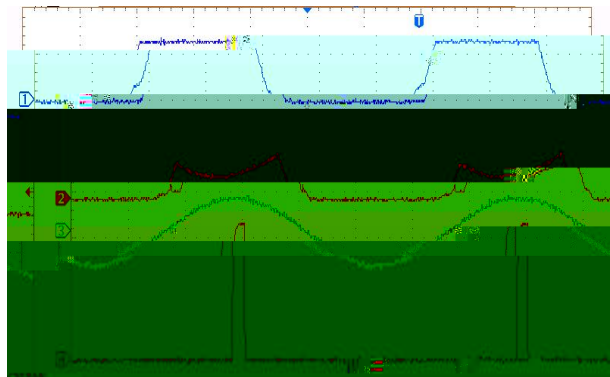
CH1:  $V_{LIVE}$  10V/DIV  
 CH2: Ampout 5V/DIV  
 CH3:  $I_{FAULT}$  10mA/DIV  
 CH4: Driver 1V/DIV  
 Time: 4ms/DIV

**5mA Ground Fault**



CH1:  $V_{LIVE}$  10V/DIV  
 CH2: Ampout 5V/DIV  
 CH3:  $I_{FAULT}$  10mA/DIV  
 CH4: Driver 1V/DIV  
 Time: 4ms/DIV

**5mA Ground Fault (coil reverse)**



CH1:  $V_{LIVE}$  10V/DIV  
 CH2: Ampout 5V/DIV  
 CH3:  $I_{FAULT}$  10mA/DIV  
 CH4: Driver 1V/DIV  
 Time: 4ms/DIV



JJ146 Series

 **JieJie Microelectronics Co.,**