



JVR431

Shunt Voltage Reference

Description

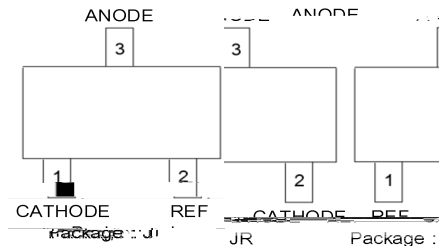
Features and Benefits

o o

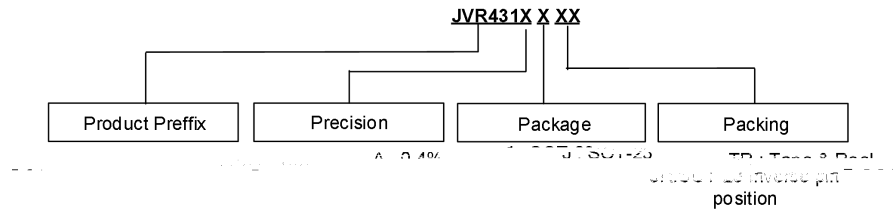
o

Pin Assignment

Applications



Ordering Information



Product Name	Package	Marking	MSL	TJ (°C)	Media	Quantity (pcs)
--------------	---------	---------	-----	---------	-------	----------------



500V Voltage Reference

Fig. 1: Function Blocks

Electrical Characteristics

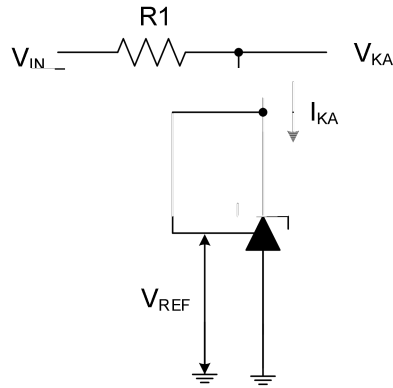


Fig. 2: Test Circuit 1 for $V_{KA} = V_{REF}$

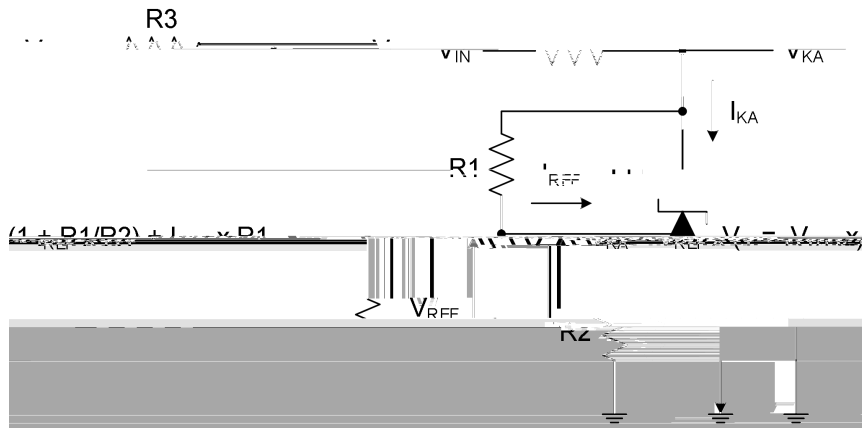


Fig. 3: Test Circuit 2 for $V_{KA} > V_{REF}$

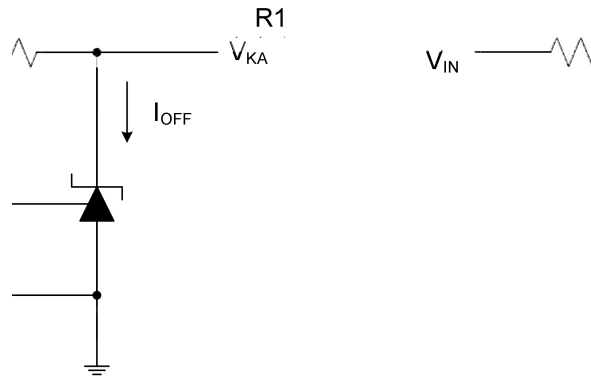


Fig. 4: Test Circuit 3 for I_{OFF}



JVR431

Shunt Voltage Reference

Performance Characteristics



JVR431

Shunt Voltage Reference

Performance Characteristics

Fig. 11: Small Signal Voltage Gain vs. Frequency

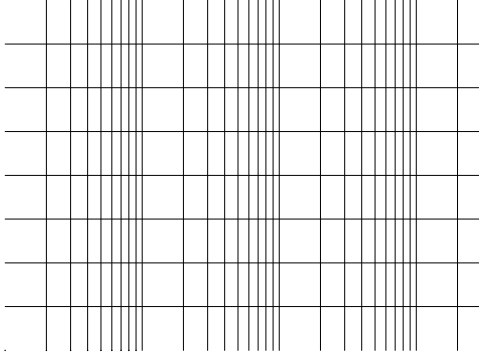


Fig. 12: Reference Impedance vs. Frequency

Fig. 13: Stability Boundary Conditions (Cathode Current vs. Load Capacitance)



Shunt Voltage Reference

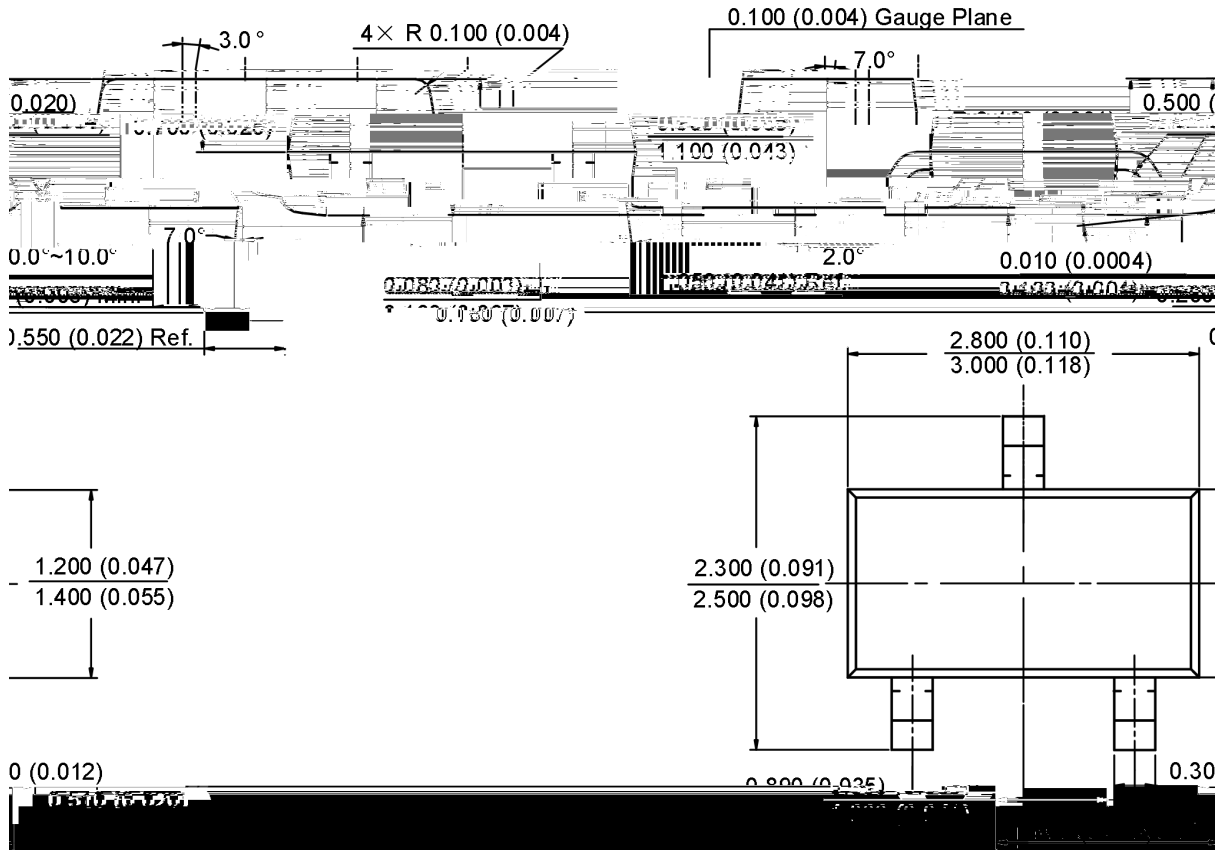


JVR431

Shunt Voltage Reference

Package Outline

Package Type: SOT-23



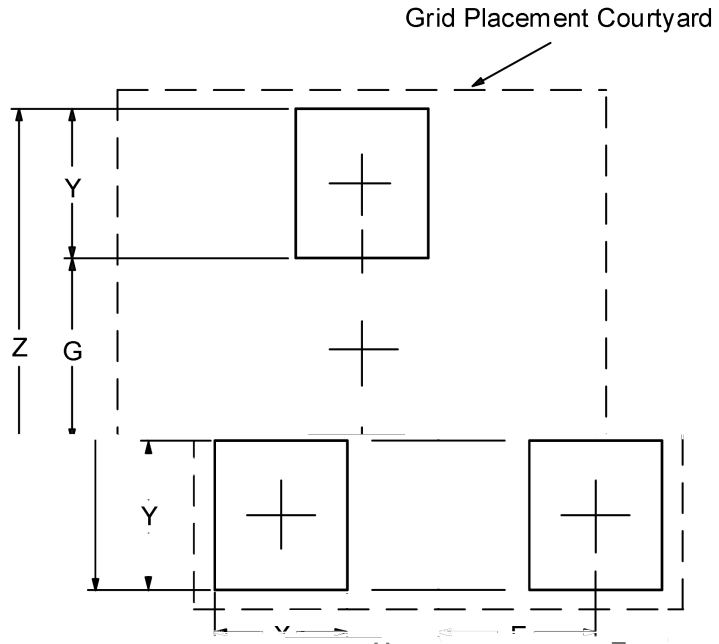


JVR431

Shunt Voltage Reference

Suggested Pad Layout

Package Type: SOT-23





JVR431

Shunt Voltage Reference