



**JR0205Q      2A SCR**

Rev.A.1.0

## DESCRIPTION:

The JR0205Q SCR with the parallel resistor between Gate and Cathode,  $R_{GK}=10\sim 80k$  is especially recommended for use on straight hair, igniter, anion generator, etc. Package TO-126 is RoHS compliant.

## MAIN FEATURES

Symbol	Value	Unit
$I_{T(RMS)}$	2	A
$V_{DRM}/V_{RRM}$	600	V
$I_{GT}$	200	$\mu A$

## ABSOLUTE MAXIMUM RATINGS

Parameter	Symbol	Value	Unit
Storage junction temperature range	$T_{stg}$	-40-150	
Operating junction temperature range	$T_j$	-40-125	

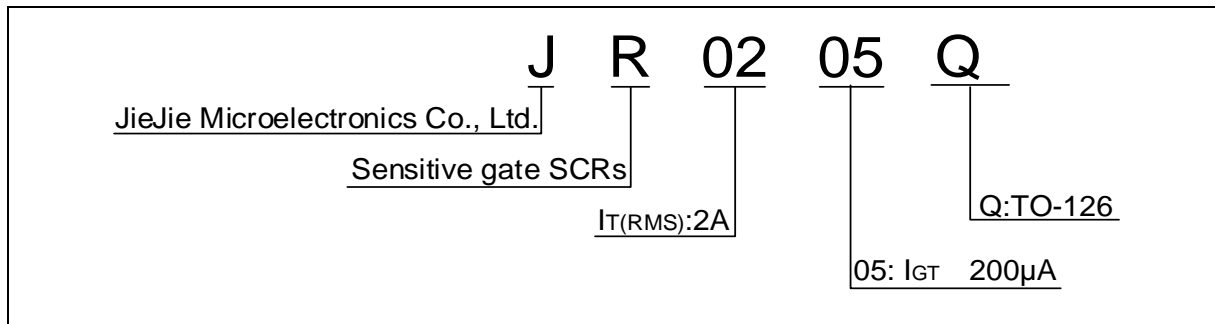
jSt(tanq2 1202 T34Tf ( 8.04 355-Tj 0 T

**JR0205Q**

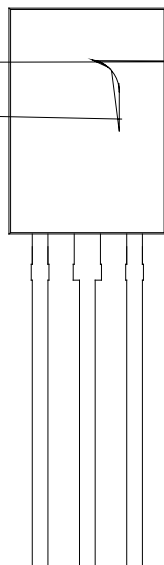
**JieJie Microelectronics**

---

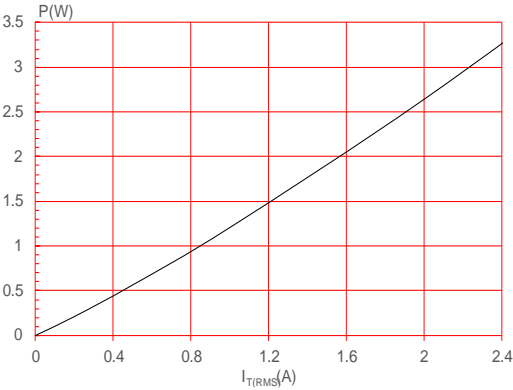
ORDERING INFORMATION



MARKING



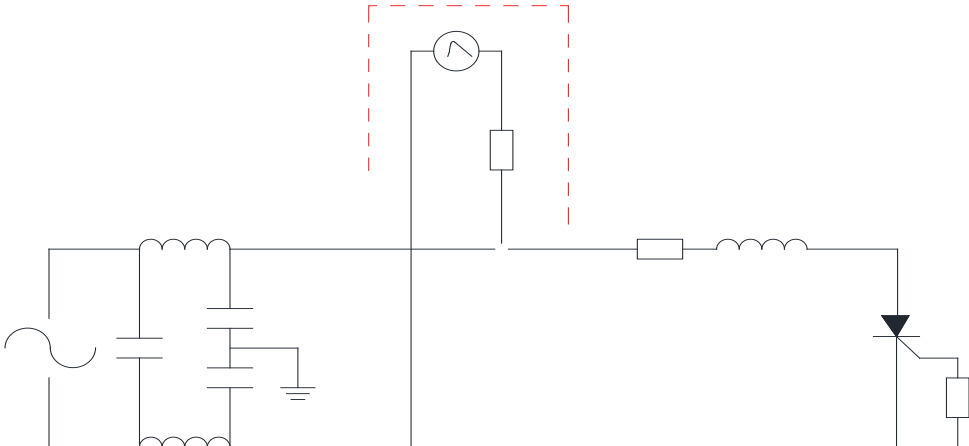
**FIG.1:** Maximum power dissipation versus RMS on-state current



**FIG.2:** RMS on-state current versus case temperature



FIG.7 Test circuit for inductive and resistive loads to IEC-61000-4-5 standards



**JR0205Q**



Information furnished in this document is believed to be accurate and reliable.  
However, Jiangsu JieJie Microelectronics Co., Ltd.