

e[\_33 ee[\_33 e[\_33 e[\_33

Peak gate power	$P_{GM}$	5	W
Peak pulse voltage ( $T_j=25$ ; non-repetitive,off-state;FIG.7)	$V_{pp}$	0.5	kV

NOTE 1: Operating junction temperature  $T_j$  is up to 125 when a resistor "1k" is connected between Gate and Cathode. Without this resistor, the  $T_j$  is up to 110 only.

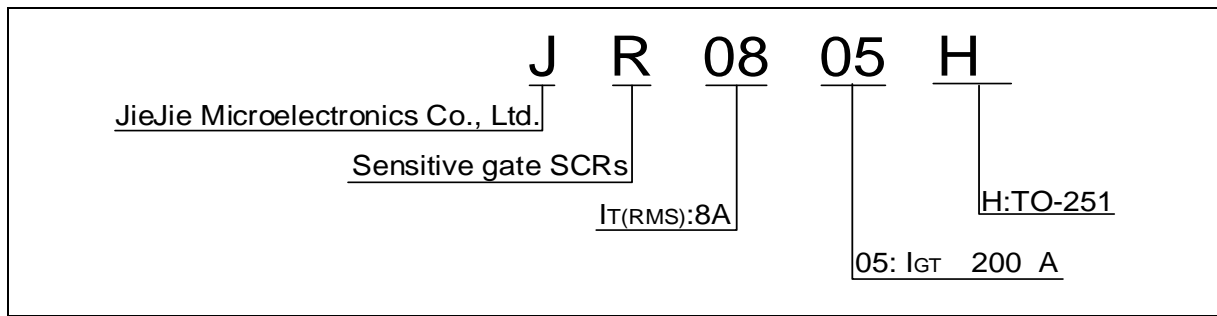
## ELECTRICAL CHARACTERISTICS (T<sub>j</sub>=25 (Unless otherwise specified))

Symbol	Test Condition	Value			Unit
		MIN.	TYP.	MAX.	
$I_{GT}$	$V_D=12V R_L=33$	-	-	200	A
$V_{GT}$		-	-	0.8	V
$V_{GD}$	$V_D=V_{DRM} T_j=125$	0.2	-	-	V
$I_L$	$I_G=1.2 I_{GT}$	-	-	6	mA
$I_H$	$I_T=0.1A$	-	-	5	mA
dV/dt	$V_D=400V T_j=125 R_{GK}=1k$	50	-	-	V/s
	$V_D=400V T_j=125 R_{GK}=220$	250	-	-	
$t_{on}$	$I_G=10mA I_A=20mA I_R=2mA$ $T_j=25$	-	2	-	s
$t_{off}$		-	50	-	

## STATIC CHARACTERISTICS

Symbol	Parameter	Value(MAX.)	Unit
--------	-----------	-------------	------

ORDERING INFORMATION



MARKING

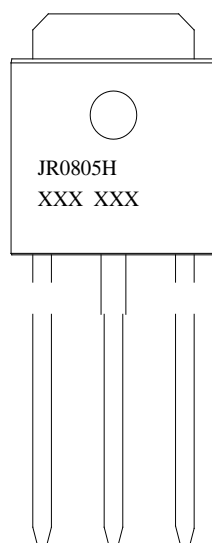
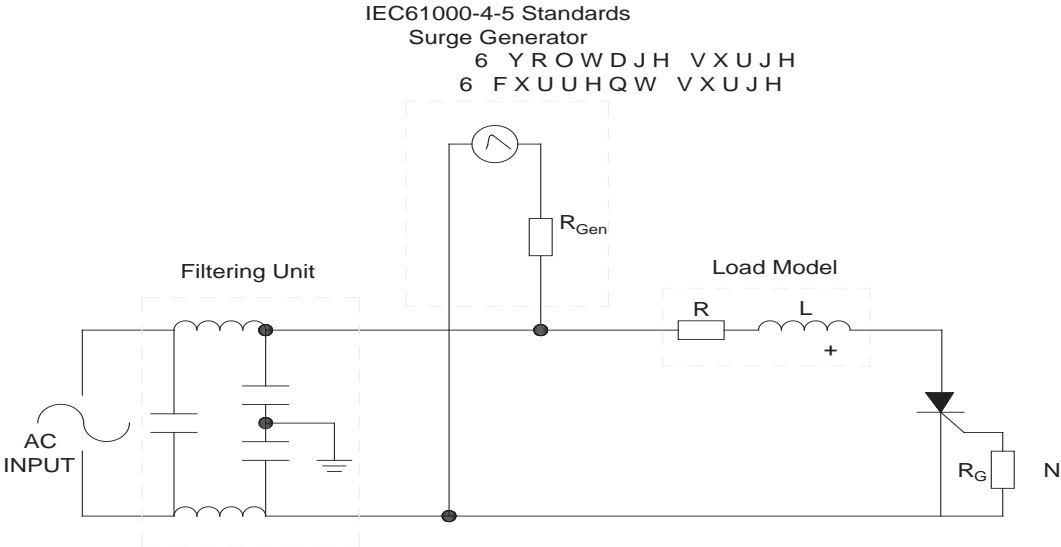




FIG.7 ÖTest circuit for inductive and resistive loads to IEC-61000-4-5 standards



## ORDERING INFORMATION

Order code	Voltage $V_{DRM}/V_{RRM}$ (V)	IGT( $\mu$ A)	Package	Base qty. (pcs)	Delivery mode
JR0805H	600	200	TO-251	80	Tube

## Document Revision History

Date	Revision	Changes
Apr.10, 2023	A.1.0	Last update
Oct.16, 2025	A.1.1	Revise PACKAGE MECHANICAL DATA

PACKAGE MECHANICAL DATA

