



JST131N2-600DS 1A TRIAC

Rev.A.1.1

DESCRIPTION:

The JST131N2-600DS triac is suitable for general purpose

## ELECTRICAL CHARACTERISTICS (unless otherwise specified)

Symbol	Test Condition	Quadrant	Value		Unit
I <sub>GT</sub>	V <sub>D</sub> =12V R <sub>L</sub> =33	- -	MAX.	5	mA
				10	
V <sub>GT</sub>		ALL	MAX.	1.3	V
V <sub>GD</sub>	V <sub>D</sub> =V <sub>DRM</sub> T <sub>j</sub> =125 R <sub>L</sub> =3.3k	ALL	MIN.	0.2	V
I <sub>L</sub>	I <sub>G</sub> =1.2I <sub>GT</sub>	- -	MAX.	5	mA
				20	
I <sub>H</sub>	I <sub>T</sub> =50mA		MAX.	7	mA
dV/dt	V <sub>D</sub> =400V Gate Open T <sub>j</sub> =125		MIN.	350	V s
(dV/dt) <sub>c</sub>	(dI/dt) <sub>c</sub> =0.44A/ms, T <sub>j</sub> =110		MIN.	3	9 V
t <sub>on</sub>	I <sub>G</sub> =20mA I <sub>A</sub> =200mA I <sub>R</sub> =20mA T <sub>j</sub> =25		TYP.	2.5	s
t <sub>off</sub>				25	

## STATIC CHARACTERISTICS

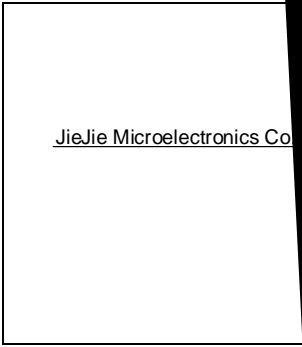
Symbol	Parameter		Value(MAX.)	Unit
V <sub>TM</sub>	I <sub>TM</sub> =1.4A t <sub>p</sub> =380 s	T <sub>j</sub> =25	1.45	V
V <sub>TO</sub>	Threshold voltage	T <sub>j</sub> =125	0.96	V
R <sub>D</sub>	Dynamic resistance	T <sub>j</sub> =125	225	P
I <sub>DRM</sub>	V <sub>D</sub> =V <sub>DRM</sub> V <sub>R</sub> =V <sub>RDM</sub>	T <sub>j</sub> =25	5	A RM

JST131N2-600



JieJie Microe

ORDERING INFO



JieJie Microelectronics Co

2 -600

MARKING



TEL

FIG.1: Maximum power dissipation versus RMS on-state current



FIG.2: RMS on-state current versus case temperature





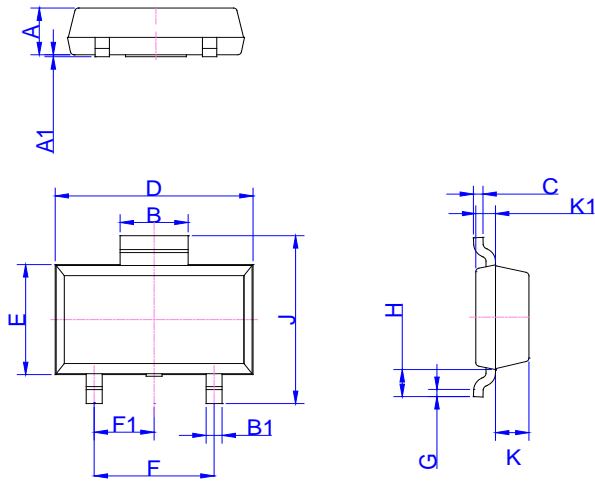
## ORDERING INFORMATION

Order code	Voltage $V_{DRM}/V_{RRM}$ (V)	IGT(mA)		Package	Base qty. (pcs)	Delivery mode
		-	-			
JST131N2-600DS	600	5	10	SOT-89-2L	4,000	Tape & Reel

## Document Revision History

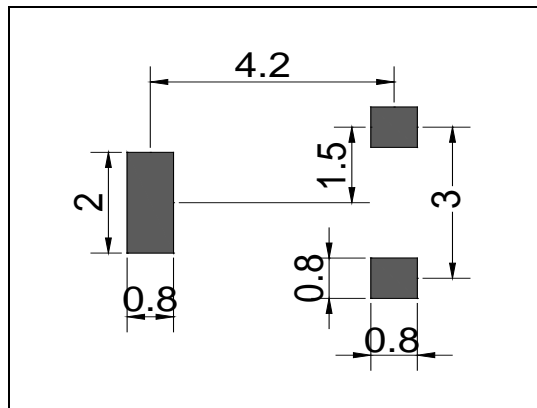
Date	Revision	Changes
Jan.23, 2024	A.1.0	Last updated

PACKAGE MECHANICAL DATA



Ref.	Dimensions					
	Millimeters			Inches		
	Min.	Typ.	Max.	Min.	Typ.	Max.
A	1.3	1.4	1.5	0.051	0.055	0.059
A1	0.01	0.06	0.10	0.001	0.002	0.004
B	1.6	1.7	1.8	0.063	0.067	0.071
B1	0.3	0.4	0.5	0.012	0.016	0.020
C	0.22	0.254	0.32	0.009	0.010	0.013
D	4.75	4.95	5.15	0.187	0.195	0.203
E	2.90		3.30	0.114		0.130
F	2.80		3.20	0.110		0.126
F1	1.40		1.60	0.055		0.063
G	0.20	0.30	0.40	0.008	0.012	0.016
H	0.58	0.78	0.98	0.023	0.031	0.039
J	4.30	4.50	4.70	0.169	0.177	0.185
K	0.80		1.00	0.031		0.039
K1	0.50		0.60	0.020		0.024

FOOTPRINTSOT89-2L (dimensions in mm)



## DELIVERY MODE

Ref.	Dimensions					
	Millimeters			Inches		
	Min.	Typ.	Max.	Min.	Typ.	Max.
E	1.65	1.75	1.85	0.065	0.069	0.073
F	5.45	5.50	5.55	0.215	0.217	0.219
P2	1.90	2.00	2.10	0.075	0.079	0.082
D	-	1.50	1.60	-	0.059	0.063
D1	1.50			0.059		
P0	3.90	4.00	4.10	0.154	0.157	0.161
10P0	39.80	40.00	40.20	1.567	1.575	1.583
W			12.30			0.482
P	7.90	8.00	8.10	0.311	0.315	0.319
A0	5.20	5.30	5.40	0.204	0.208	0.212
B0	4.80	4.90	5.00	0.188	0.192	0.196
K0	1.75	1.85	1.95	0.069	0.073	0.076
t	0.20	0.25	0.30	0.008	0.010	0.012
	3°		5°	3°		5°

