

ELECTRICAL CHARACTERISTICS ($T_j=25$ unless otherwise specified)

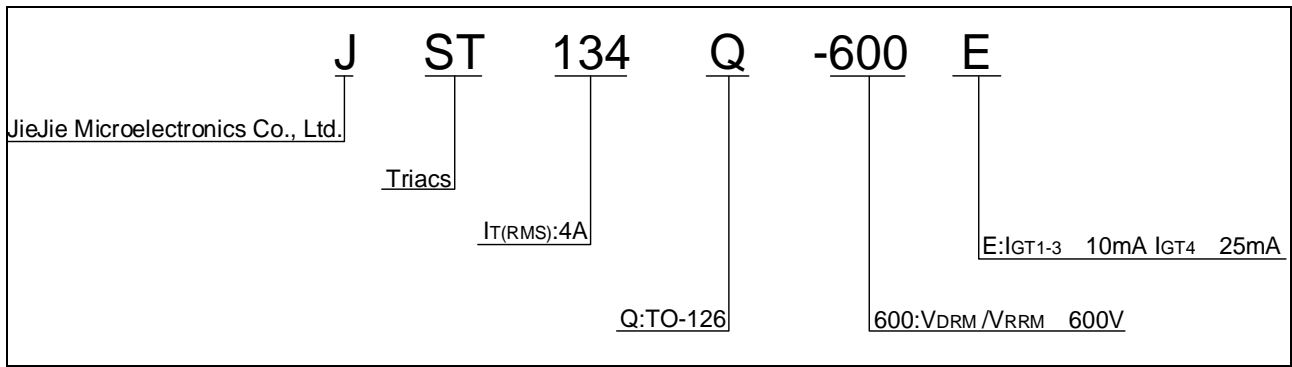
Symbol	Test Condition	Quadrant	Value		Unit
I_{GT}	$V_D=12V R_L=33$	- -	MAX.	10	mA
				25	
V_{GT}		ALL	MAX.	1	V
V_{GD}	$V_D=V_{DRM} T_j=125$ $R_L=3.3k$	ALL	MIN.	0.2	V
I_L	$I_G=1.2I_{GT}$	- -	MAX.	15	mA
				25	
I_H	$I_T=100mA$		MAX.	20	mA

dV/dt

$V_D=400V$

25 MAe0.004 Op0.00e 13.12 319.32 1 re354>]T4

ORDERING INFORMATION



MARKING

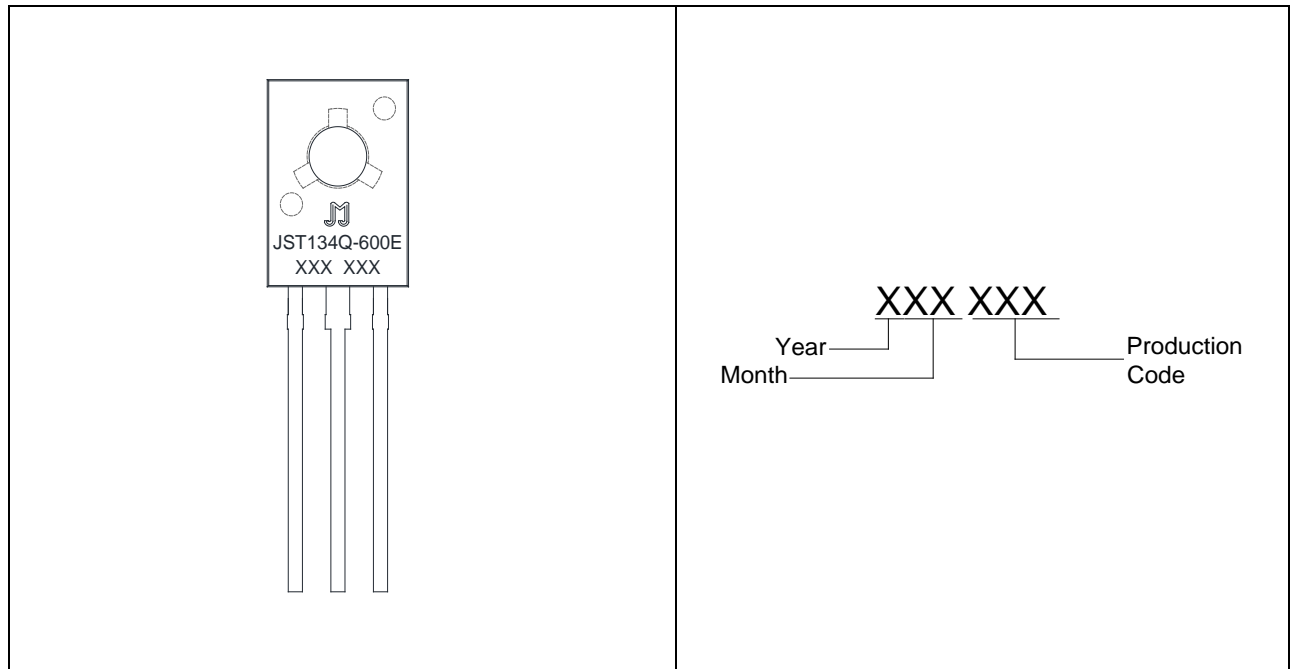
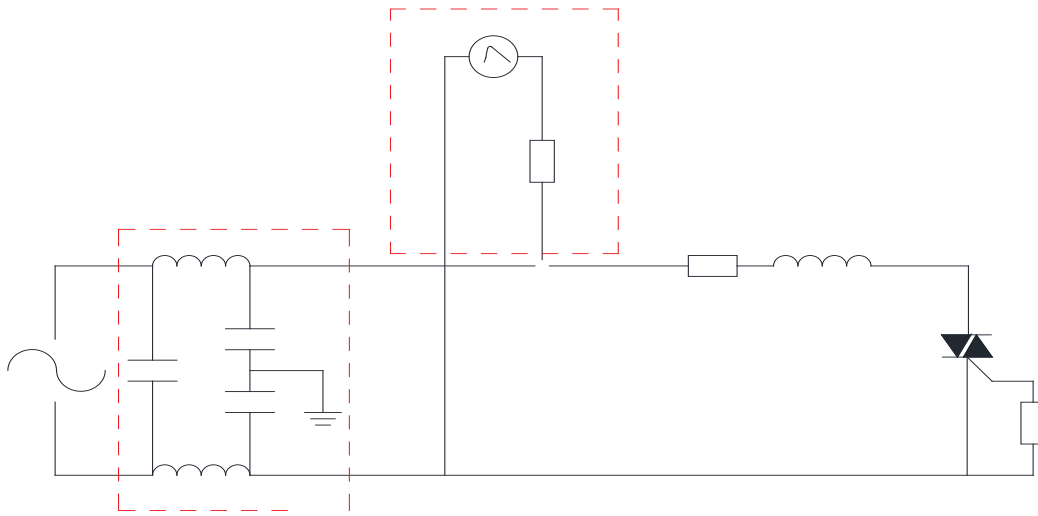


FIG.1: Maximum power dissipation versus RMS on-state current



FIG.2: RMS on-state current versus case temperature

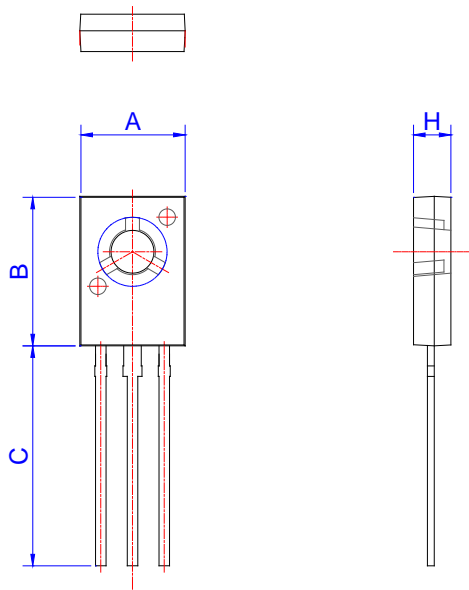
FIG.7 Test circuit for inductive and resistive loads to IEC-61000-4-5 standards



ORDERING INFORMATION

Order code

PACKAGE MECHANICAL DATA



Ref.	Dimensions					
	Millimeters			Inches		
	Min.	Typ.	Max.	Min.	Typ.	Max.
A	7.40		7.80	0.2913	0.3071	0.3150
B	10.6			0.4173		
C	15.3			0.6024		
D	3.90			0.1535		
E						
F						
G						
H						
J						
K						

