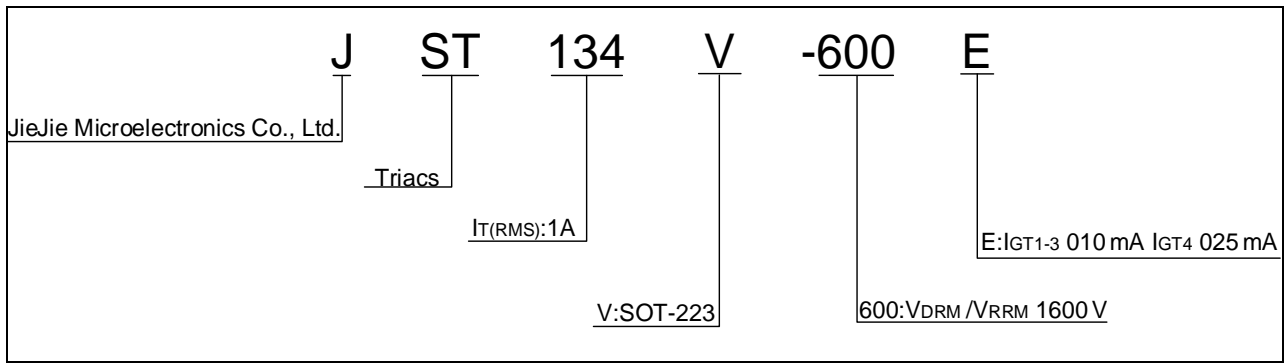


ELECTRICAL CHARACTERISTICS (unless otherwise specified)

Symbol	Test Condition	Quadrant	Value		Unit
I _{GT}	V _D =12V R _L =33	- -	MAX.	10	mA
				25	
V _{GT}	V _D =V	ALL	MAX.	1.3	V
V _{GD}					

ORDERING INFORMATION



MARKING

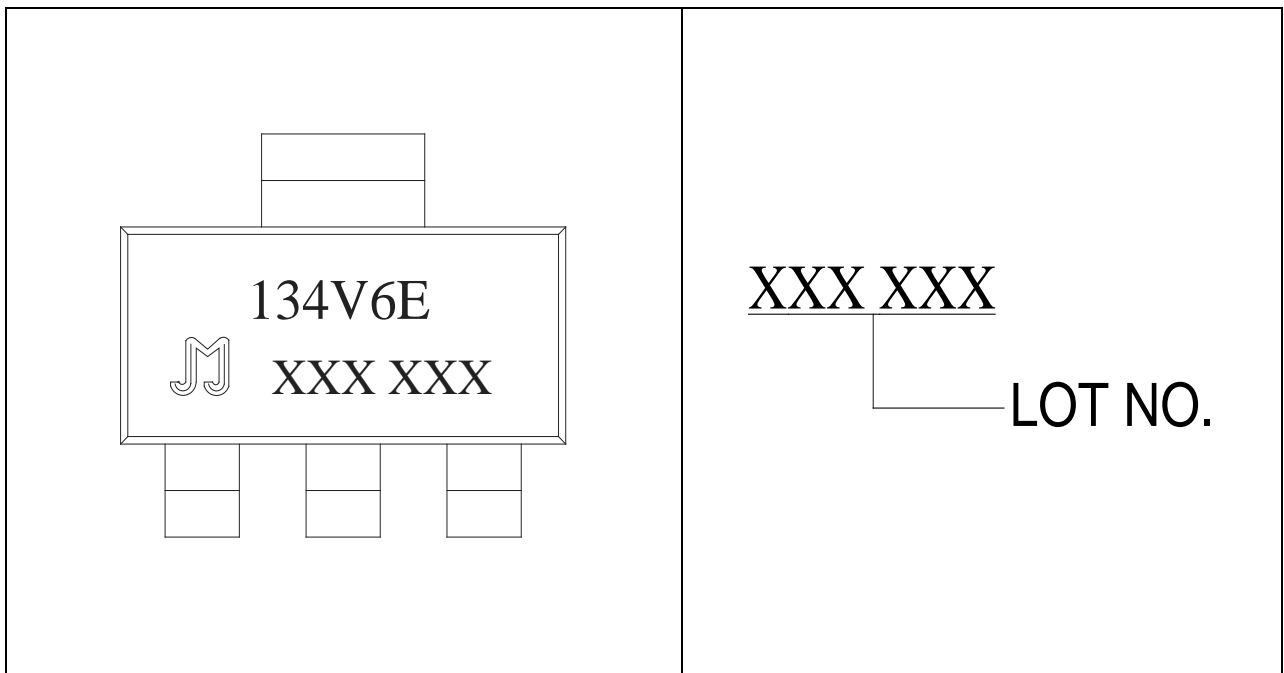


FIG.1: Maximum power dissipation versus RMS on-state current

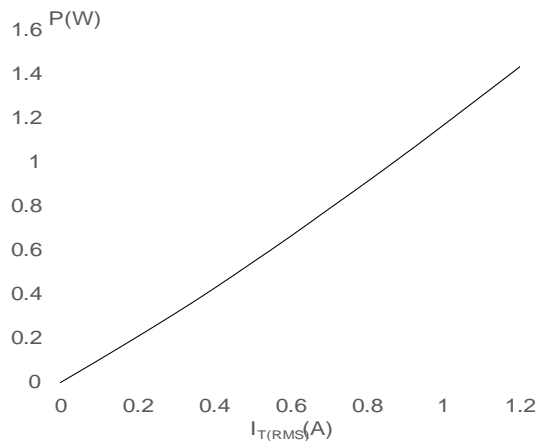


FIG.3: RMS on-state current versus ambient temperature (printed circuit board FR4, copper thickness: P (full cycle)

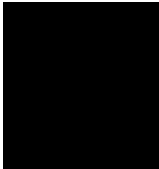


FIG.2: RMS on-state current versus case temperature

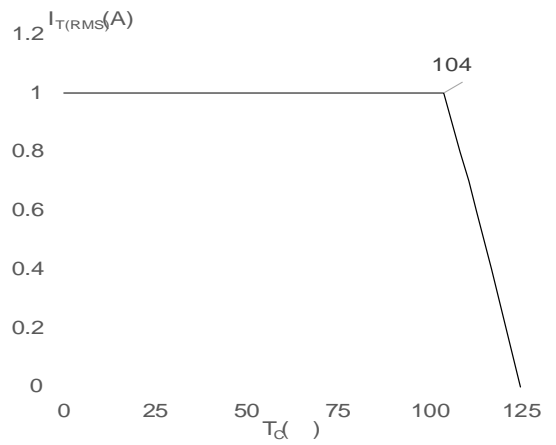


FIG.4: Surge peak on-state current versus number of cycles

FIG.7: Relative variations of gate trigger current, holding current and latching current versus junction temperature

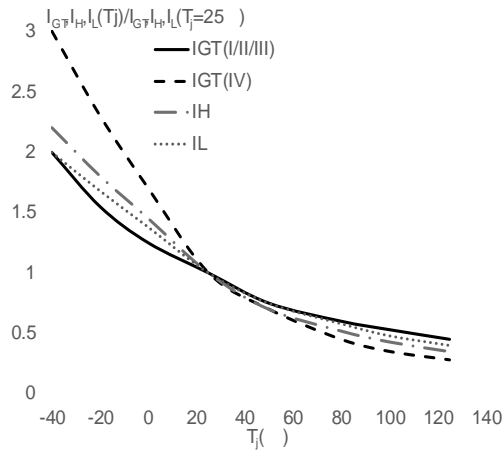
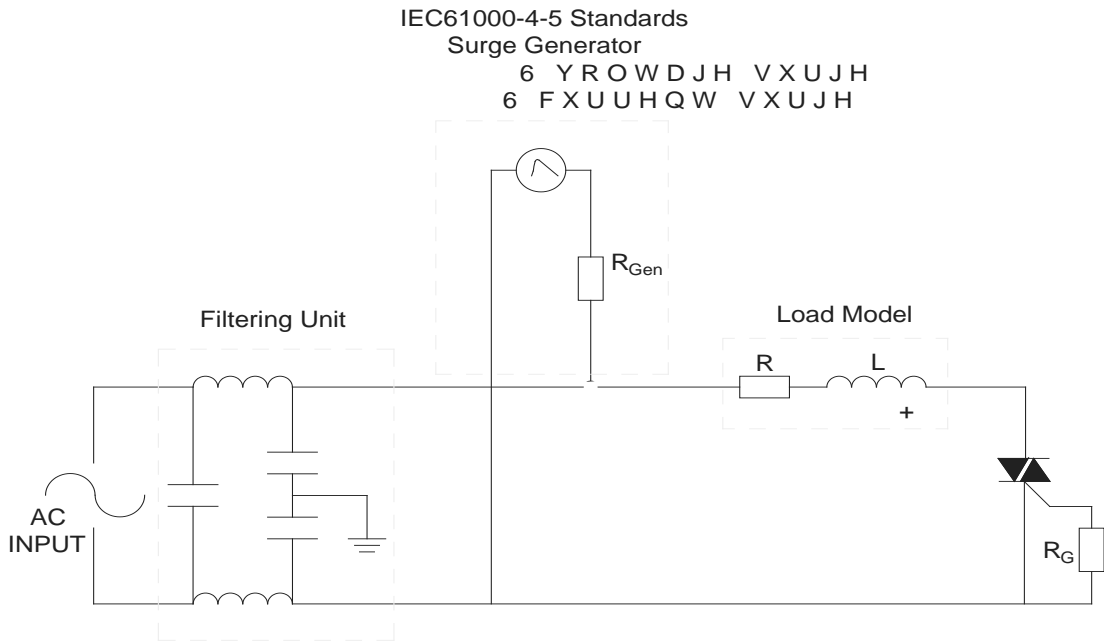


FIG.8 ÖTest circuit for inductive and resistive loads to IEC-61000-4-5 standards



ORDERING INFORMATION

Order code

PACKAGE MECHANICAL DATA

Dimensions					
Millimeters			Inches		
in.	Typ.	Max.	Min.	Typ.	Max.
-		12.30	-		0.482
65	1.75	1.85	0.065	0.069	0.073
45	5.50	5.55	0.215	0.217	0.219
	1.55	1.60		0.061	0.063
	-	-			
90	4.00	4.10	0.154	0.157	0.161
90	8.00	8.10	0.311	0.315	0.319
95	2.00	2.05	0.077	0.079	0.081
80	40.00	40.20	1.567	1.575	1.583
85	6.95	7.05	0.269	0.273	0.276
15	7.25	7.35	0.280	0.284	0.288
95	2.05	2.15	0.076	0.080	0.084
20	0.25	0.30	0.008	0.010	0.012

Information furnished in this document is believed to be accurate and reliable. However, Jiangsu JieJie Microelectronics Co., Ltd. assumes no responsibility for the consequences of use without consideration for such information nor use beyond it. Information mentioned in this document is subject to change without notice, apart from that when an agreement is signed, Jiangsu JieJie complies with the agreement.

Products and information provided